

Inclined cabinet "U" handles

Aluminium

SPECIFICATION

Types

- Type **A**: Mounting from the back (threaded blind bore)
- Type **B**: Mounting from the operator's side

Aluminium

plastic coated
 black, RAL 9005, textured finish **SW**
 silver, RAL 9006, textured finish **SR**
 anodized, natural colour **EL**

blank, ground **BL**



INFORMATION

Inclined cabinet "U" handles GN 565.2 are produced from profiled aluminum extrusions. Produced from profiled aluminium extrusions their special features are their rigidity and ergonomical shaping.

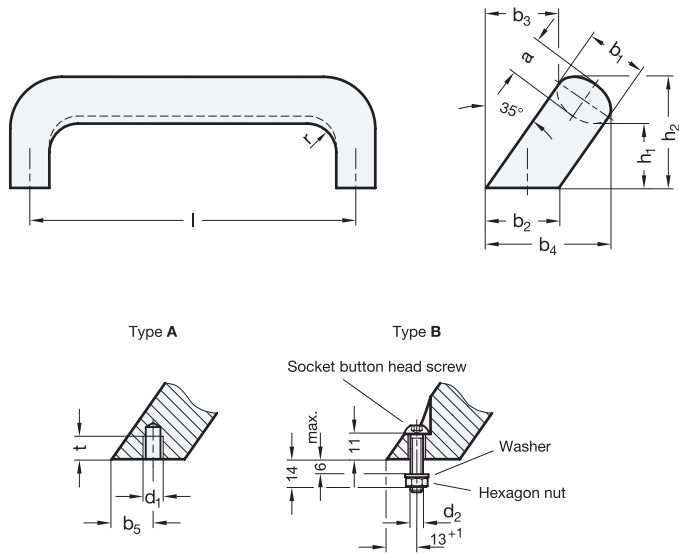
The angled contact surface allows improved access even in tight spaces such as corners.

The manufacturing process (bending) allows the production of **special lengths** in relatively small quantities.

In type B lens screws, hexagon nuts and washers are included parts of the order.

TECHNICAL INFORMATION

- Load rating information (see page A35)



* Complete with colour index of the Cabinet "U" handles (SW, SR, EL or BL)

SW	SR	EL	BL
RAL9005	RAL9006	anodized	blank

GN 565.2

Description	b1	l ±0.25	a	b2	b3	b4	b5 +1	d1	d2	h1	h2	r	t min.	⚖
GN 565.2-20-112-A-*	20	112	13	24	32	50	13.5	M 6	-	32	48	13	10	105
GN 565.2-20-128-A-*	20	128	13	24	32	50	13.5	M 6	-	32	48	13	10	1129
GN 565.2-26-128-A-*	26	128	17	32	34	57	18	M 8	-	34	54	17	12	190
GN 565.2-26-160-A-*	26	160	17	32	34	57	18	M 8	-	34	54	17	12	222
GN 565.2-26-128-B-*	26	128	17	32	34	57	18	-	M 6	34	54	17	-	207
GN 565.2-26-160-B-*	26	160	17	32	34	57	18	-	M 6	34	54	17	-	240

